

REVISIONS			
REV	DESCRIPTION	DATE	APPROVED

ECS Part Numbers	Frequency
ECS-094.9453-CDX-0313-TR	9.49453 MHz
ECS-098.4375-CDX-0314-TR	9.84375 MHz
ECS-120.9375-CDX-0315-TR	12.09375 MHz
ECS-130.625-CDX-0316-TR	13.0625 MHz
ECS-135.60-CDX-0317-TR	13.560 MHz

Electrical Characteristics

Parameters	Value
Frequency Tolerance @ +25°C	± 30 PPM Max.
Temperature Stability (-10° to +70°C)	± 50 PPM Max.
Equivalent Series Resistance	30 Ohms Max.
Motional Capacitance	10 fF Typ.
Load Capacitance	10 pF
Crystal Q	70K Min.
Shunt Capacitance	5 pF Max.
Drive Level	500 µW Max.
Aging (First Year @ +25°C)	± 5 PPM Max.
Operating Temperature	-10 to +70°C
Storage Temperature	-30 to +85°C

Package Dimensions (mm)

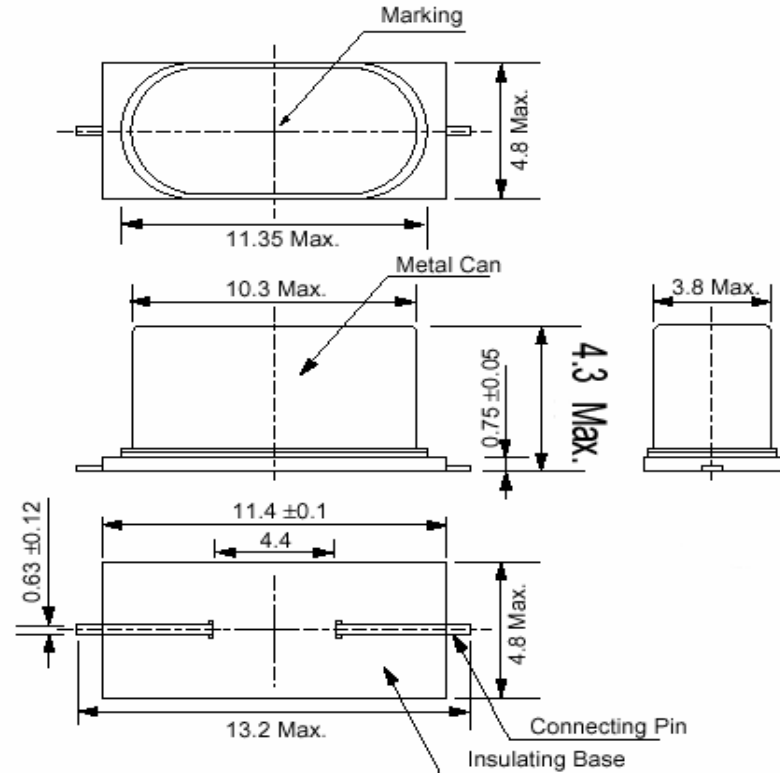


Figure 1) Top, Side, Bottom and End views

ECS INC. INTERNATIONAL
 1105 S. Ridgeview
 Olathe, KS 66062
 (913) 782-7787 www.ecsxtal.com



SIGNATURES	DATE	TITLE	ECS INC. INTERNATIONAL	
DRN RC	9/19/2005	CSM-7 SMD Crystal for Micrel Transmitter IC	1105 S. Ridgeview	
CHK BL	9/19/2005		Olathe, KS 66062	
APP DK	9/19/2005		(913) 782-7787 www.ecsxtal.com	
		SIZE	DWG NO	REV
		A	CDX-0313-0317	-
Dimensions in mm		CAGE CODE: 1G8B7		SHEET 1 OF 1